

## KK1 WEEKLY FOCUS

**Bible Story:** Parable of the Lost Coin **Luke 15:8-10** (AMP)

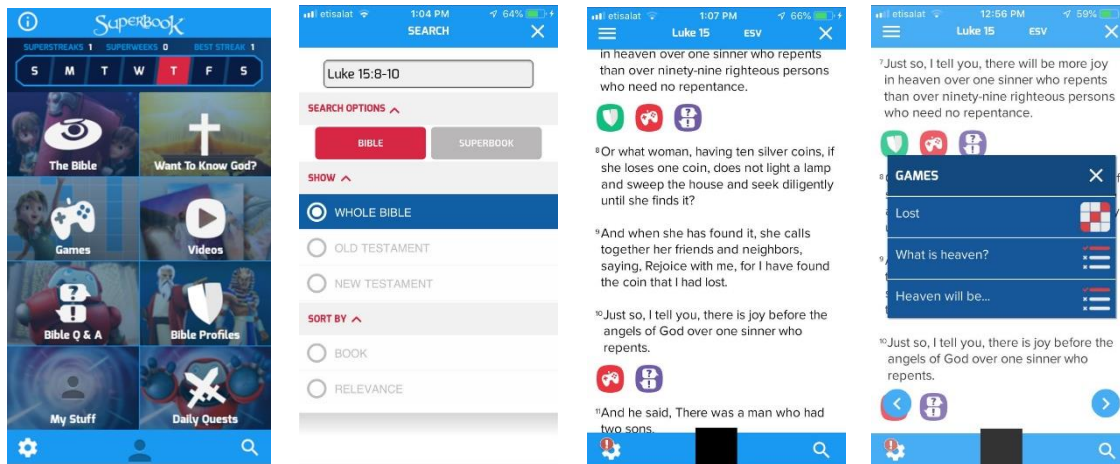
**Memory Verse:** Be strong and brave. Don't be afraid of them. Don't be frightened. The Lord your God will go with you. He will not leave you or forget you. **Deuteronomy 31:6** (ICB)

### BIBLE STORY – LUKE 15:8-10 (AMP)

Video – **The Parable of the Lost Coin:** <https://youtu.be/yvHxUxjaboE>

Superbook Kids Bible: <https://us-en.superbook.cbn.com/app>

1. Create a free account
2. Select the Bible
3. Select Search
4. Select Games
5. Click Play



ages 7-8 years



Copyright © Gatekeepers Church Dubai

THE PARABLE OF THE LOST COIN



## WORD SEARCH

Find the following words:

WOMEN

TEN

COINS

LOSE

LAMP

FIND

REJOICE

JOY

GOD

LIFE

Z Q S G R P S O R Z X M W T U

P E N Y T B H N E T L K O D D

U N F X Q A I C F A M O Q K M

W E Z I B X I C M S D T S Z X

C T X W L O U P O R P X W K T

N W E R J P O O H I R N Z D X

Y B G E D N I F Q Y N R D L A

U C R G O D W F O D M S S D G

T H L M Z G T J H P D Z E N C

F F J Z P K E N K C E W R K U

K X J E S W Y N L X X I C A I

W F X H P P E L O Q A K L O Y

Y E V W F P Z J S D R N X F L

W O M E N L P A E R W E C L W

K U D Q U S O Z C C P S U R Q



ages 7-8 years



Copyright © Gatekeepers Church Dubai







## COMIC STRIP VIEWER BOX

Make your own comic strip viewer box. Using the comic strip below 'The Parable of the Lost Coin' or create your own.

### What you will need:

A shoebox (any size)

Scissors

Card

Ruler

Pencil

Comic Strip (print off)

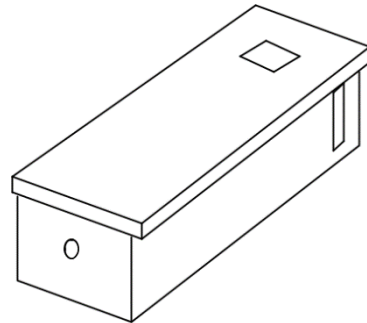


Figure 1.

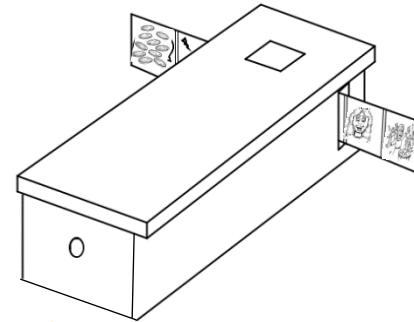


Figure 2.

1. Using a pencil draw and cut-out a 25mm circle (*you will need a compass or draw around a circular object*) on the shortest edge of the shoebox.
  2. Print out the comic viewer (below) on to card stock. Color the drawings.
  3. Using a pencil and ruler draw cut-out a slot (as wide as the comic strip), 25mm from the other end (*allow approx. 14mm at the top and the bottom*).
  4. Using a pencil and ruler draw and cut-out an area 50mm x 50mm on the lid of the box (*50mm approx. from the end of the lid*). Place the box in a position so that light can come into the box through the square.
  5. Place the lid on top of the shoebox (*place the lid with the hole on the same end as the slot*). **See figure 1.**
- Slide the comic viewer into the slots - **See figure 2.** Look through the circle and slide the comic strip from left to right.



MEMORY VERSE: DEUTERONOMY 31:6 (ICB)

Be strong and brave.  
Don't be afraid of them.  
Don't be frightened. The  
Lord your God will go  
with you. He will not  
leave you or forget you.  
Deuteronomy 31:6 (ICB)