

KK2 WEEKLY FOCUS

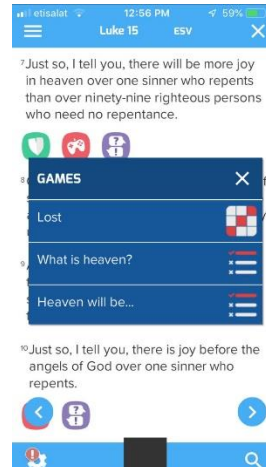
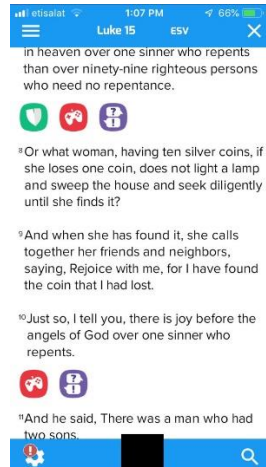
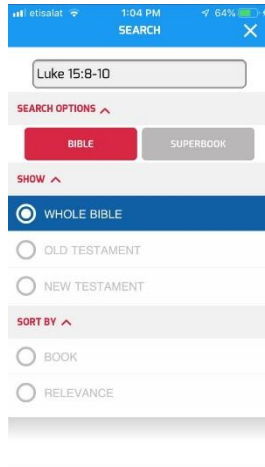
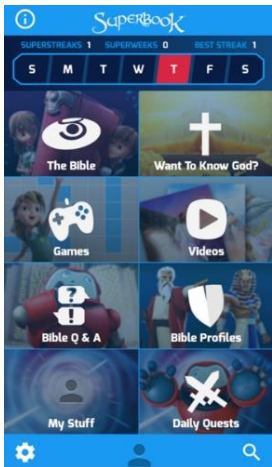
Bible Story: The Parable of the Lost Coin **Luke 15:8-10** (AMP)

Memory Verse: Be strong and brave. Don't be afraid of them. Don't be frightened. The Lord your God will go with you. He will not leave you or forget you. **Deuteronomy 31:6** (ICB)

BIBLE STORY – LUKE 15:8-10 (AMP)

Superbook Kids Bible: <https://us-en.superbook.cbn.com/app>

1. Create a free account
2. Select the Bible
3. Select Search
4. Select Games
5. Click Play



ages 9-11 years



Copyright © Gatekeepers Church Dubai

WORD SEARCH

The Lost Coin

B N R O I G R D W B E Z O O C
 W E M E C N E S E R P F Y O M
 O I A N G E L S L C P C I E E
 M G F I N D Y X C M I N H S L
 E H P E E W S A A T S O O O I
 N B H I X G R L E Z E P J L V
 I O T F D E I B C R R L Y E E
 L U N M F S N E T U I G L O R
 P R U U S S I Y P F Y D U Y J
 T S L Z T R D N E J C O G W D
 M L R D N N E N N X Q G W I F
 Y S B Y E C C N U E B Z Z W C
 D U U N P W Z L N F R A I L I
 O B F J E T W R H I E K D D E
 T E W S R N F D D V W U N T Y



ANGELS

CAREFULLY

COINS

FIND

GOD

INNER

JOY

LAMP

LIFE

LIVE

LOSE

WOMEN

PRESENCE

PURPOSE

REJOICE

REPENTS

SINNER

SWEEP

TELL

TEN

THE PARABLE OF THE LOST COIN





COMIC STRIP VIEWER BOX

Make your own comic strip viewer box. Using the comic strip below 'The Parable of the Lost Coin' or create your own.

What you will need:

A shoebox (any size)

Scissors

Card

Ruler

Pencil

Comic Strip (print off)

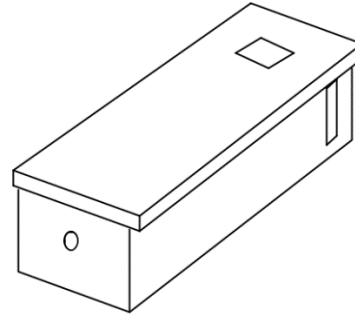


Figure 1.

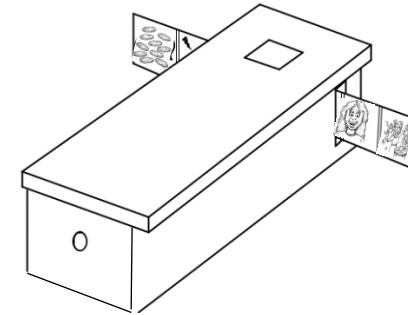


Figure 2.

1. Using a pencil draw and cut-out a 25mm circle (*you will need a compass or draw around a circular object*) on the shortest edge of the shoebox.
2. Print out the comic viewer (below) on to card stock. Color the drawings.
3. Using a pencil and ruler draw cut-out a slot (as wide as the comic strip), 25mm from the other end (*allow approx. 14mm at the top and the bottom*).
4. Using a pencil and ruler draw and cut-out an area 50mm x 50mm on the lid of the box (*50mm approx. from the end of the lid*). Place the box in a position so that light can come into the box through the square.
5. Place the lid on top of the shoebox (*place the lid with the hole on the same end as the slot*). **See figure 1.**

Slide the comic viewer into the slots - **See figure 2.** Look through the circle and slide the comic strip from left to right.



MEMORY VERSE: DEUTERONOMY 31:6 (ICB)

Be strong and brave. Don't be afraid of them.
Don't be frightened. The Lord your God will go
with you. He will not leave you or forget you.

Deuteronomy 31:6 (ICB)

Be strong and brave. Don't be afraid of them.
Don't be frightened. The Lord your God will go
with you. He will not leave you or forget you.

Deuteronomy 31:6 (ICB)

Be strong and brave. Don't be afraid of them.
Don't be frightened. The Lord your God will go
with you. He will not leave you or forget you.

Deuteronomy 31:6 (ICB)